

# 6ft x 3ft Self Assembly Hire Market Stall Specification

## MATERIALS



**Roof canopy:**  
550gsm PVC with bungee cords  
Fire retardant BS 7837:1996

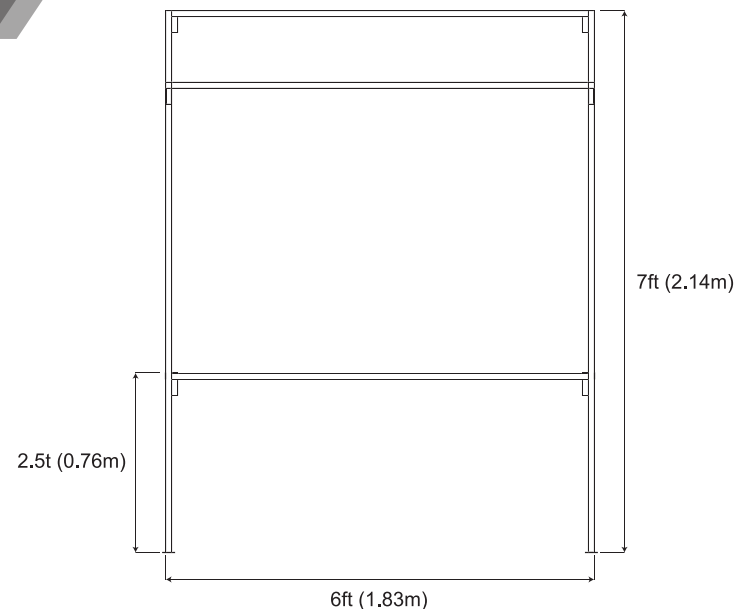
**Framework:**  
25.4 x 25.4 x 1.2mm steel box section  
Silver zinc plate finish

**Counter boards:**  
5.5mm exterior grade plywood

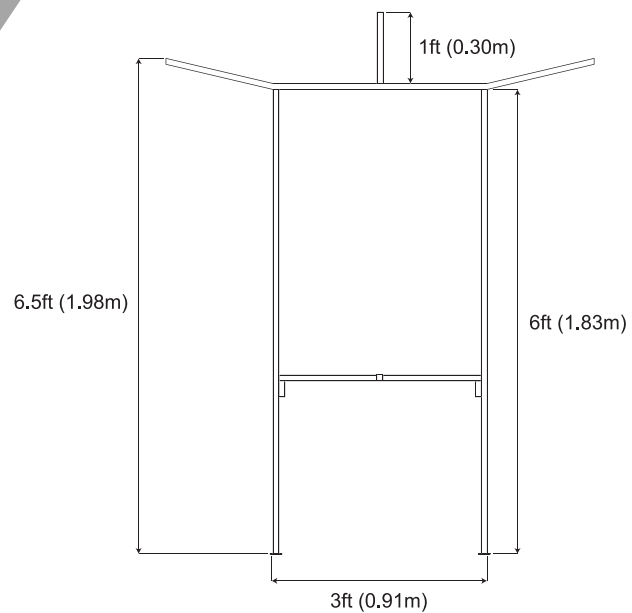
**Component list:**  
Frame: 16 pieces  
Counter boards: 2 pieces  
Roof canopy: 1 piece

**Weight per market stall:**  
Approximately 36kgs

## FRONT



## SIDE



## TOP

